

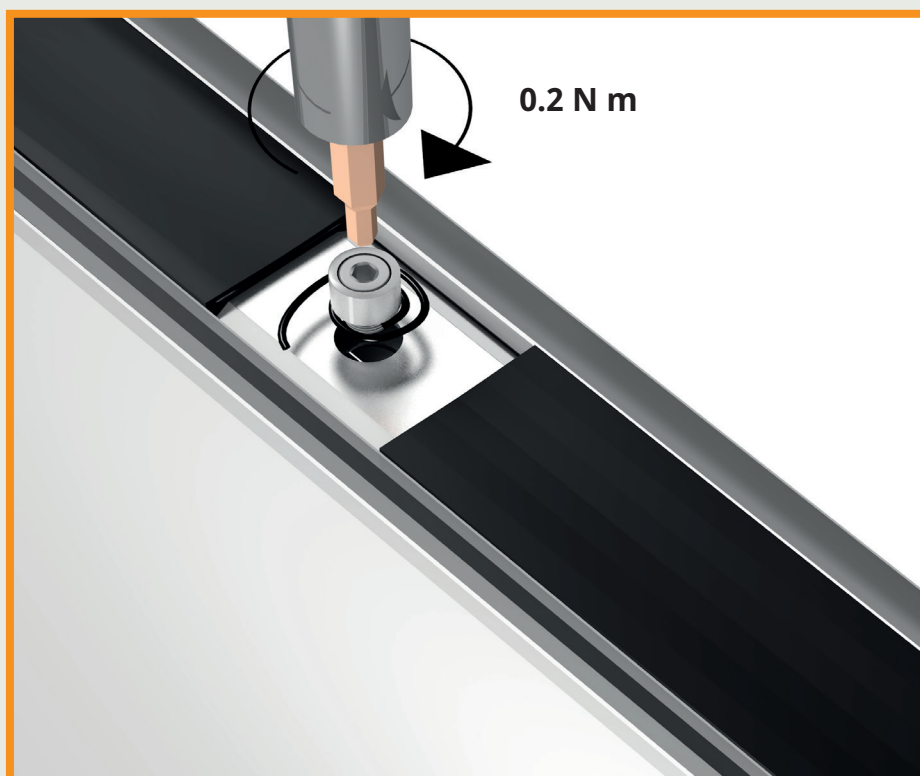
Installation manual SWISSPACER AIR

Engineered in Switzerland

www.swisspacer.com

SWISSPACER

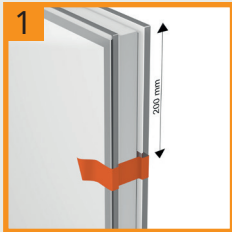
The edge of tomorrow.



Step-by-step guide

TOOLS / MATERIAL required

- Torque wrench (diameter 2.0 mm)
- Drill (diameter 2.5 mm)
- Polyisobutylene (PIB) sealing cord
- Cartridge gun for secondary sealant with thin tip
- Tube as a depth limiter for the drill



1. An adhesive strip should be positioned over the edge of the pressed insulating glass. Place the strip 200 mm from the top corner on the vertical side.

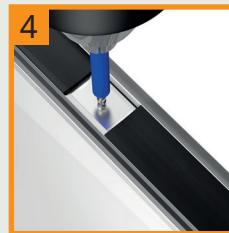
2. The insulating glass is automatically sealed with secondary sealant. During the planning phase, it is important to note that the sealant height (edge overlap) is at least 4.5 mm so that SWISSPACER AIR does not protrude.



3. Directly after sealing the edge of the insulating glass, the adhesive strip should be carefully removed and disposed of.

The fresh sealant needs to cure before the insulating glass can be transported (this generally takes 3-4 hours).

4. A hole should then be drilled in the middle of the back of the spacer bar using a drill (2.5 mm diameter). A depth limiter (a tube that slides over the top) is used to prevent damage to the inner side of the spacer bar.



5. Butyl cord should then be placed on the bottom of the SWISSPACER AIR to prevent any uncontrolled leaks.

SWISSPACER AIR should then be screwed in straight with a maximum torque of 0.2 N m. It is important to check that the sealant has completely enclosed SWISSPACER AIR and reliably seals the hole.

6. Close the opening of the AIR component using the plugs supplied. The cavity around the SWISSPACER AIR should then be filled with a cartridge gun of sealant and finally the surface is smoothed over.

The filled sealant needs to cure before the insulating glass can be transported (3-4 hours). You then need to mark the position of SWISSPACER AIR on the glass surface.



For more information about SWISSPACER AIR visit: [swisspacer.com/en/products/swisspacer-air](https://www.swisspacer.com/en/products/swisspacer-air)

SWISSPACER

Vetrotech Saint-Gobain (International) AG

Zweigniederlassung Kreuzlingen

Sonnenwiesenstrasse 15

8280 Kreuzlingen, Switzerland

T +41 (0)71 686 92 70

F +41 (0)71 686 92 75

info@swisspacer.com

www.swisspacer.com

SWISSPACER

The edge of tomorrow.